

Stainless Steel- Eccentric cams

radial clamping

SPECIFICATION

Types

- Type **KV**: with ball lever, angular (serration)
- Type **GV**: with ball lever, straight (serration)
- Type **SK**: with hexagon

Clamping direction

- Type **R**: by clockwise rotation (drawn version)
- Type **L**: by anti-clockwise rotation

Stainless Steel

- Eccentric cam, AISI 303, chemically nickel plated
- Screw bolt and washer, AISI 630, tempered chemically nickel plated
- Ball lever (Type KV), AISI 303, matt shot-blasted

Ball knob DIN 319 (see page 538)

Plastic

Duroplast

Shiny finish

INFORMATION

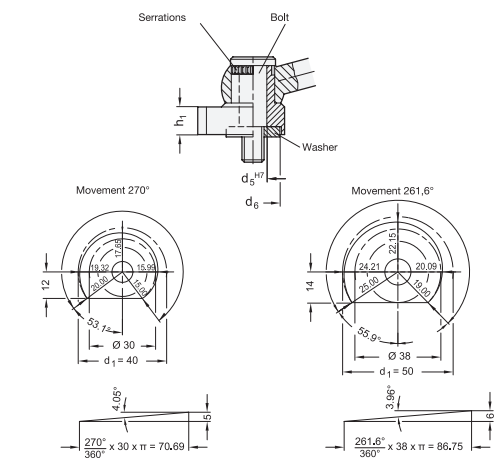
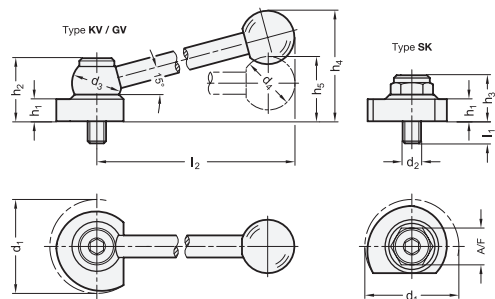
Stainless Steel-Eccentric cams GN 918.5 allow the rapid and safe clamping and releasing at a relatively large adjustable range and with high clamping force. The cam not only has the advantage that the clamping effect is of the same magnitude over the whole of the clamping surface (i.e. in every angular position), but also that it is self-arresting in every position.

The ball lever is linked with the eccentric cam via a serrated ratchet, allowing the adjustment of the most suitable clamping position or the "readjustment" of the handle.

Screw bolt and washer (see technical instructions) are matched to ensure that the eccentric cam can be easily turned after tightening. Using a washer requires no special requirements in terms of the threaded hole design. This means it can also be mounted on tables using T grooves.

TECHNICAL INFORMATION

- Stainless Steel characteristics (see page A26)



GN 918.5

STAINLESS STEEL

Description	d1 -0.5	d2	d3	d4	d5	d6	h1	h2	h3	h4 ≈	h5	l1	l2 ≈	A/F	⚖
GN 918.5-40-GV-R	40	M 8	24	25	10	20	10	31	-	-	31	8	100	-	177
GN 918.5-40-GV-L	40	M 8	24	25	10	20	10	31	-	-	31	8	100	-	177
GN 918.5-50-GV-R	50	M 10	28	30	12	24	12	34.5	-	-	36	11	116	-	312
GN 918.5-50-GV-L	50	M 10	28	30	12	24	12	34.5	-	-	36	11	116	-	312
GN 918.5-40-KV-R	40	M 8	24	25	10	20	10	31	-	55	-	8	100	-	179
GN 918.5-40-KV-L	40	M 8	24	25	10	20	10	31	-	55	-	8	100	-	179
GN 918.5-50-KV-R	50	M 10	28	30	12	24	12	34.5	-	62	-	11	116	-	310
GN 918.5-50-KV-L	50	M 10	28	30	12	24	12	34.5	-	62	-	11	116	-	310
GN 918.5-40-SK-R	40	M 8	-	-	10	20	10	-	21	-	-	8	-	15	90
GN 918.5-40-SK-L	40	M 8	-	-	10	20	10	-	21	-	-	8	-	15	90
GN 918.5-50-SK-R	50	M 10	-	-	12	24	12	-	24	-	-	11	-	19	154
GN 918.5-50-SK-L	50	M 10	-	-	12	24	12	-	24	-	-	11	-	19	154

